

GN 798.8

Safety Retractable Handles

Plastic, Retractable Mechanism Stainless Steel,
Automatic Return to the Retracted position

SPECIFICATION

Handle

Plastic, Polyamide (PA) **KT**

- Operating temperature up to 90 °C
- Black, matte finish
- Revolving

Retractable mechanism

Stainless steel

- Spindle, AISI 303
- Flat base, AISI 316LHC, sintered



INFORMATION

Safety retractable handles GN 798.8 are suitable for applications such as cranked handles and handwheels if the handle may not be locked in the operating position.

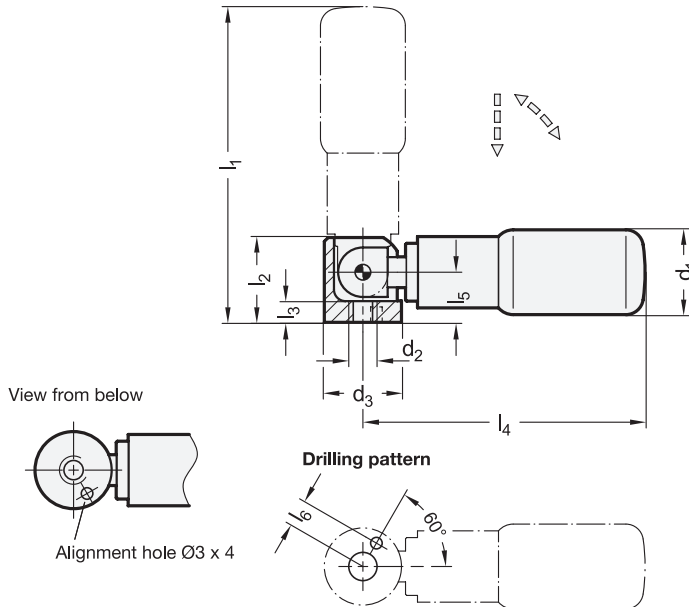
In order to bring the handle into the operating position it has to be turned first through 90° to a stop against a torsion spring and then it is pushed against spring pressure into its hold position.

Operated in this way and with the axial force maintained, the handle can be used to crank.

When „releasing“ the handle, the pressure spring returns it back to the retracted position.

TECHNICAL INFORMATION

- Plastic Characteristics (see page A2)
- Stainless Steel Characteristics (see page A26)



GN 798.8

STAINLESS STEEL

Description	d1	d2	d3	l1 ≈ (arrested)	l2	l3	l4	l5	l6	⚖
GN 798.8-KT-22	22	M 6	20	82	22	5.5	73	13	7	84
GN 798.8-KT-24	24	M 6	20	97	22	5.5	88	13	7	97
GN 798.8-KT-25	25	M 6	20	107	22	5.5	98	13	7	111

